

T-base Stand

F o r L a b e l A p p l i c a t o r s



This rugged T-base stand is ideal for use with Weber's complete line of pressure-sensitive label applicators and printer-applicators.

An applicator simply mounts to the stand via a U-shaped arm, which permits easy adjustments that make it possible to configure the applicator for top, side or bottom product labeling. In addition, the applicator head can be positioned at various distances from a conveyor through the use of a gib-plate mounting.

The heavy-duty stand, constructed of rugged tubular steel, also includes over-sized locking casters that make it easy for one person to

move a labeling system to accommodate various conveyor lines and products.

Optional accessories include a vertical column extension, gib-slide and yard arm for positioning applicators at selectable increments from the stand's upright column. To meet specific requirements, a range of custom modifications is available.

KEY FEATURES

- Works with all Weber label applicators and printer-applicators
- Eases transporting of labeling system between conveyor lines
- Constructed of rugged tubular steel

**Weber
Marking
Systems, Inc.**

World Headquarters

Weber Marking Systems, Inc.
711 W. Algonquin Road
Arlington Heights, IL 60005-4457
Phone: 847.364.8500
Fax: 847.364.8575
E-mail: info@webermarking.com
www.webermarking.com

Canada

Weber Marking Systems of Canada
6180 Danville Road
Mississauga, Ontario L5T 2H7
Phone: 905.564.6881
Fax: 905.564.6886
E-mail: info@webermarking.ca
www.webermarking.ca

United Kingdom

Weber Marking Systems UK
Macmerry Industrial Estate
Tranent, East Lothian EH33 1HD
Scotland
Phone: 44.18.756.11111
Fax: 44.18.756.13310
E-mail: sales@weber.co.uk
www.weber.co.uk

Germany

Weber Marking Systems GmbH
Postfach/Box 0154
Honnefer Str. 41
D-53572 Unkel/Rhein
Phone: 49.2224.77080
Fax: 49.2224.770820
E-mail: info@webermarking.de
www.webermarking.de

Thailand

Weber Marking Systems (Thailand), Ltd.
39/73 Samutsakom Industrial Estate
Moo 2, Rama 2 Road, Bang Ka-Jao,
Muang, Samutsakom 74000 Thailand
Phone 66.0.34.490639
Fax 66.0.34.490.638
E-mail: sales@weber.co.th

Belgium

Weber Marking Systems SA
Interleuvenlaan Nr. 23, Bus 2
3001 Leuven-Heverlee
Belgium
Phone: 32.16.38.79.50
Fax: 32.16.38.79.59
E-Mail: info@webermarking.be

Denmark

Bluhm Danmark A/S
Nordkrogen 7
DK-7300 Jelling, Denmark
Phone: 45.75.87.26.00
Fax: 45.75.87.26.10
E-mail: salesdk@bluhmsysteme.com
www.bluhmsysteme.dk

France

K-Roll Etiquetage
ZI de Montaudran
15, impasse Didier Daurat-BP 44419
31 405 TOULOUSE CEDEX 4- FRANCE
Phone: (33) 5.62.47.27.37
Fax: (33) 5.62.47.16.26
E-mail: k-roll@k-roll.fr
www.k-roll.fr

Austria

BluhmSysteme GmbH
Rustorf 82
A 4690 Schwanenstadt, Austria
Phone: 43.7673.4972
Fax: 43.7673.4974
E-mail: gresch@bluhmsysteme.com

Ireland

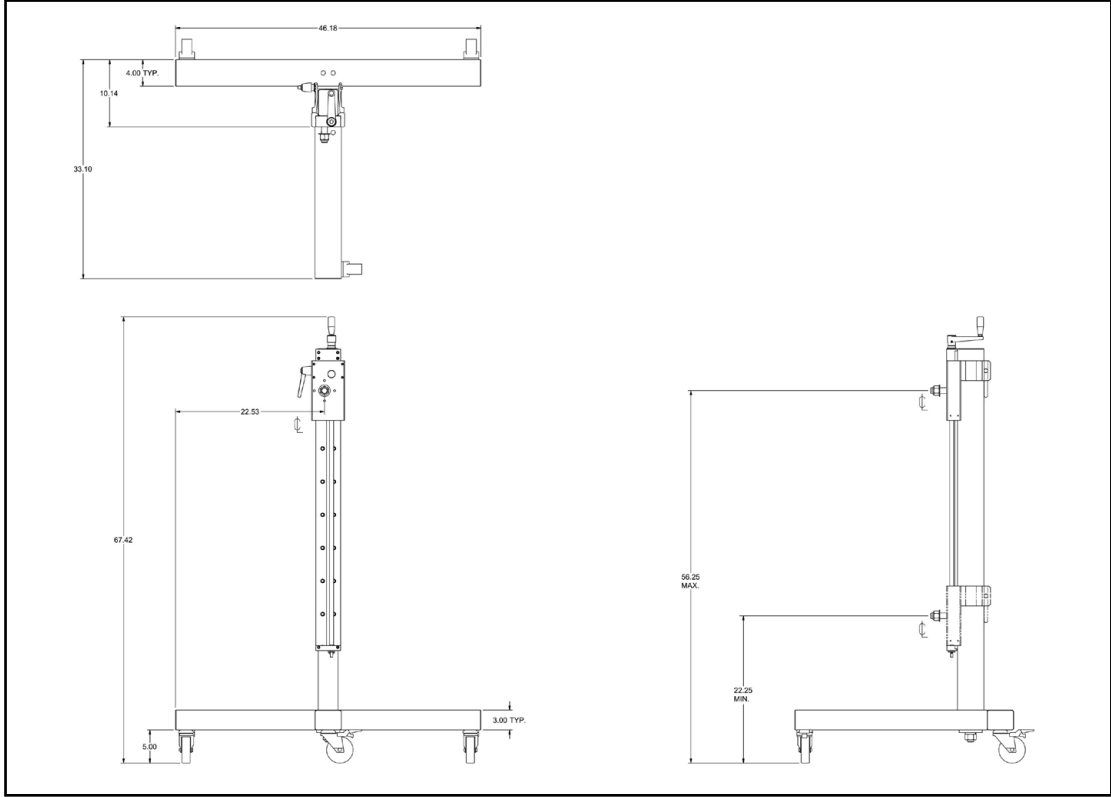
Weber Marking Systems Ireland
Kilcannon Industrial Estate, Enniscorthy
County Wexford, Ireland
Telephone 353 539 233778
Fax 353 539 233284
E-mail: weberireland@eircom.net

Turkey

Weber Etiket ve Etiketleme Sistemleri
San ve Tic Ltd., Sti.
Nazmi Akbaci Ticaret No. 208 AK
TR-80670 Maslak Istanbul, Turkey
Phone: 90.212.285.9400
Fax: 90.212.285.0574
E-mail: idokuz@etaetiketleme.com

T-base Stand

S p e c i f i c a t i o n s



Length
46.18" (117.3cm)

Width
33.1" (84.1cm)

Height
67.42" (171.3cm)

Weight
190 lbs. (86.2kg)

Construction
Heavy-duty tubular steel; gray baked-on enamel

Options
In-out traverse, extended column, motorized operation, various custom modifications