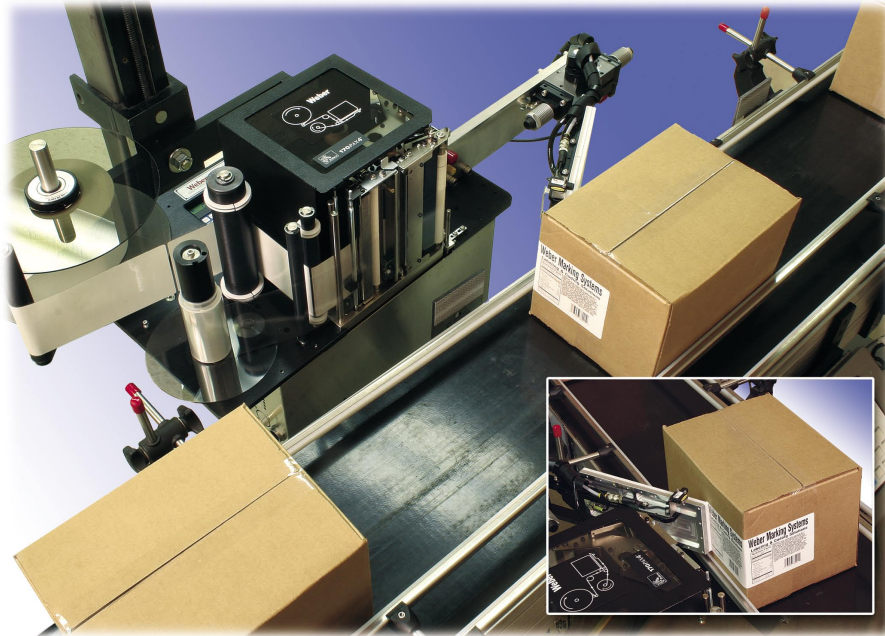


Model 5200 Corner-Wrap

Label Printer-Applicator w/optional RFID Encoding



Weber's Model 5200 Corner-Wrap label printer-applicator combines high-quality label printing with a specially designed label applicator that affixes a single label around the corner of a carton as it travels via conveyor line.

In addition to offering a selection of high-quality label print engines that addresses various print speeds and resolutions, the Corner-Wrap system is available with optional RFID print-encode engines from Zebra Technologies that will satisfy the emerging requirements of today's supply chain.

Standard thermal/thermal-transfer print engines produce text, bar codes and graphic images at 203 or 300 dpi. The RFID models combine those capabilities with the encoding and verification of RFID inlays to meet the specifications of EPC Gen 1 and 2.

Engineered, manufactured and available only from Weber, the unit prints (or prints and encodes) labels in a next-out mode, automatically removes them from their liner, and retains them by vacuum on a swing arm-mounted tamp pad. As a carton approaches, the tamp pad applies the label to its front panel, then swings around the corner and wipes the remaining portion of the label on its adjacent side.

The Corner-Wrap system handles labels up to 4 inches wide and 12 inches in length, and will print and apply labels to a maximum of 15

cartons per minute delivered at least 24 inches apart at a top conveyor speed of 60 feet per minute. For optimum labeling accuracy cartons should have 90-degree corners.

Like our time-tested Model 5200 label printer-applicators, the Corner-Wrap version is built to withstand the rigors of extended duty cycles and harsh manufacturing environments. Sensitive electronic components are protected inside the unit's corrosion-resistant, stainless steel housing.

Each system is equipped with label and ribbon status alerts, plus various outputs for easy connection to external controls and data sources. Options include a heavy-duty stand and label and product sensors.

The Model 5200 Corner-Wrap system operates using Weber's Legitronic® Labeling Software, which facilitates the formatting and printing of labels and also combines RFID encoding, if required.

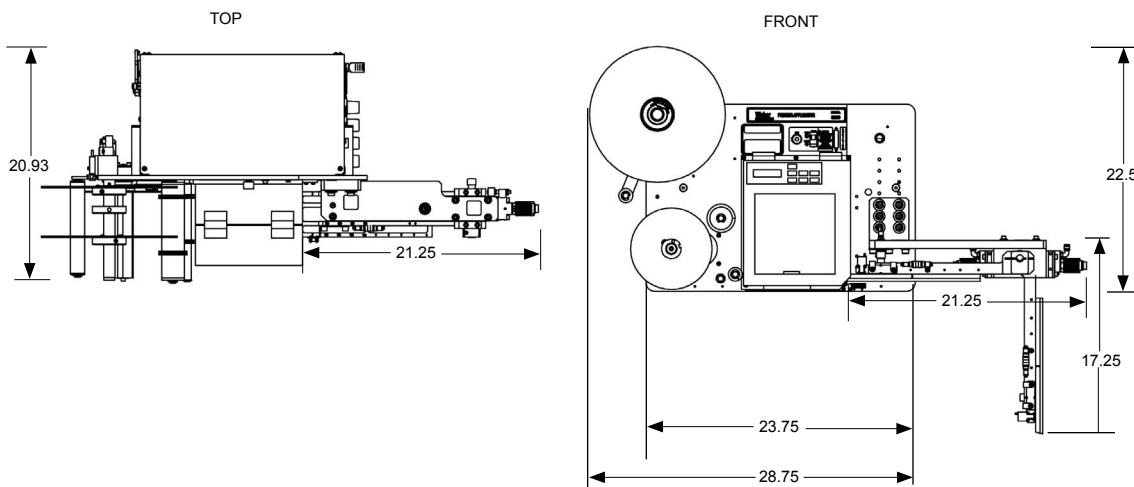
Weber also manufactures a complete range of stock and custom pressure-sensitive labels that are ideal for direct- or thermal-transfer imprinting, in addition to RFID smart labels embedded with a selection of RFID inlays.

KEY FEATURES

- Unique system prints one label and wraps it around a carton corner
- Select from the highest-quality print engines
- Applies labels up to 4" wide and 12" long
- RFID print-encode engines also available

Model 5200 Corner-Wrap

Label Printer - Applicator Specifications



Dimensions

46.5" L x 20.9" W x 22.5" H
(118.1cm x 53.1cm x 57.2cm)

Weight

165 lbs. (75kgs.)

Electrical

115 VAC, 60 cycle, 5 amps; overload
Protection built in; 220 VAC, 50 cycle optional

Communications Interface

RS 232C; Centronics compatible

Air Requirements

3 cfm @ 90 psi

Printing Methods

Direct thermal or thermal-transfer

Supported RFID Inlay Type

EPC Class 1 Gen 1 or 2,
0+ and ISO 18000-06B

Print Speed

Up to 12 ips (305mm), depending
upon print engine selected

Label Sizes

Up to 4" W x 12" L (102mm x 305mm),
depending on tamp pad selected

Label Roll Size

Maximum 12" O.D. (305mm)

Label Placement

Accurate to $\pm 0.03"$

Labels

Die-cut, waste removed with 0.125"
(3mm) minimum separation between label
in running direction and 0.125" (3mm)
maximum web over label width

Labeling-RFID Encoding Software

Weber Legitronic® Labeling Software

Print Characters & Bar Code Symbolologies

Text: Selection of fonts, including OCR-A &
B Representation.

Bar codes: UPC-A/E, EAN 8/13, Code 39, 1 2
of 5, Code 128, Codabar, MSI, 2 of 5, Code
93, UPC Bookland, Matrix 2 of 5, Postnet,
UCC/EAN 128, PDF-417, Maxicode, Data
Matrix

(Text and bar codes can be rotated 360
degrees; horizontal and vertical character
expansion)

World Headquarters

Weber Marking Systems, Inc.
711 W. Algonquin Road
Arlington Heights, IL 60005-4457
Phone: 847.364.8500
Fax: 847.364.8575
E-mail: info@webermarking.com
www.webermarking.com

Canada

Weber Marking Systems of Canada
6180 Danville Road
Mississauga, Ontario L5T 2H7
Phone: 905.564.6881
Fax: 905.564.6886
E-mail: info@webermarking.ca
www.webermarking.ca

United Kingdom

Weber Marking Systems UK
Macmerry Industrial Estate
Tranent, East Lothian EH33 1HD
Scotland
Phone: 44.18.756.11111
Fax: 44.18.756.13310
E-mail: sales@weber.co.uk
www.weber.co.uk

Germany

Weber Marking Systems GmbH
Postfach/Box 0154
Honnefer Str. 41
D-53572 Unkel/Rhein
Phone: 49.2224.77080
Fax: 49.2224.770820
E-mail: info@webermarking.de
www.webermarking.de

Thailand

Weber Marking Systems (Thailand), Ltd.
39/73 Samutsakom Industrial Estate
Moo 2, Rama 2 Road, Bang Ka-Jao,
Muang, Samutsakom 74000 Thailand
Phone 66.0.34.490639
Fax 66.0.34.490.638
E-mail: sales@weber.co.th

Belgium

Weber Marking Systems NV/SA
Loten 1
B-4700 Eupen - Belgium
Phone: 32.87.593979
Fax: 32.87.593970
E-mail: mail@webermarking.be

Denmark

Bluhm Danmark A/S
Nordkrogen 7
DK-7300 Jelling, Denmark
Phone: 45.75.87.26.00
Fax: 45.75.87.26.10
E-mail: mail@webermarking.dk

Netherlands

Weber Etiketten BV
Steurstraat19,
1317 NZ Almere, Nederland
Phone: 036.5345254
Fax: 036.5345659
E-mail: etiketten@weber.nl
www.weber.nl

Austria

BluhmSysteme GmbH
Rustorf 82
A 4690 Schwanenstadt, Austria
Phone: 43.7673.4972
Fax: 43.7673.4974
E-mail: gresch@bluhmsysteme.com

Ireland

Weber Marking Systems Ireland
61 Irish Street, Enniscorthy
County Wexford, Ireland
Phone: 353.54.33.778
Fax: 353.54.33.284
E-mail: weberireland@eircom.net

Turkey

Weber Etiket ve Etiketleme Sistemleri
San ve Tic Ltd., Sti.
Nazmi Akbaci Ticaret No. 208 AK
TR-80670 Maslak Istanbul, Turkey
Phone: 90.212.285.9400
Fax: 90.212.285.0574
E-mail: ildokuz@etaetiketleme.com